

Installation instructions for PZ4AL-3590-00, PZ4AL-3591-00  
Under Run Protective Shield Engine Bay

## TOYOTA LC 150



Model year:

**LC 150**

**2017**

Applicability:

Part Number:

Steel: PZ4AL-3590-00  
Aluminium: PZ4AL-3591-00



Weight:

Steel: 11,39 kg  
Aluminium: 8,33 kg

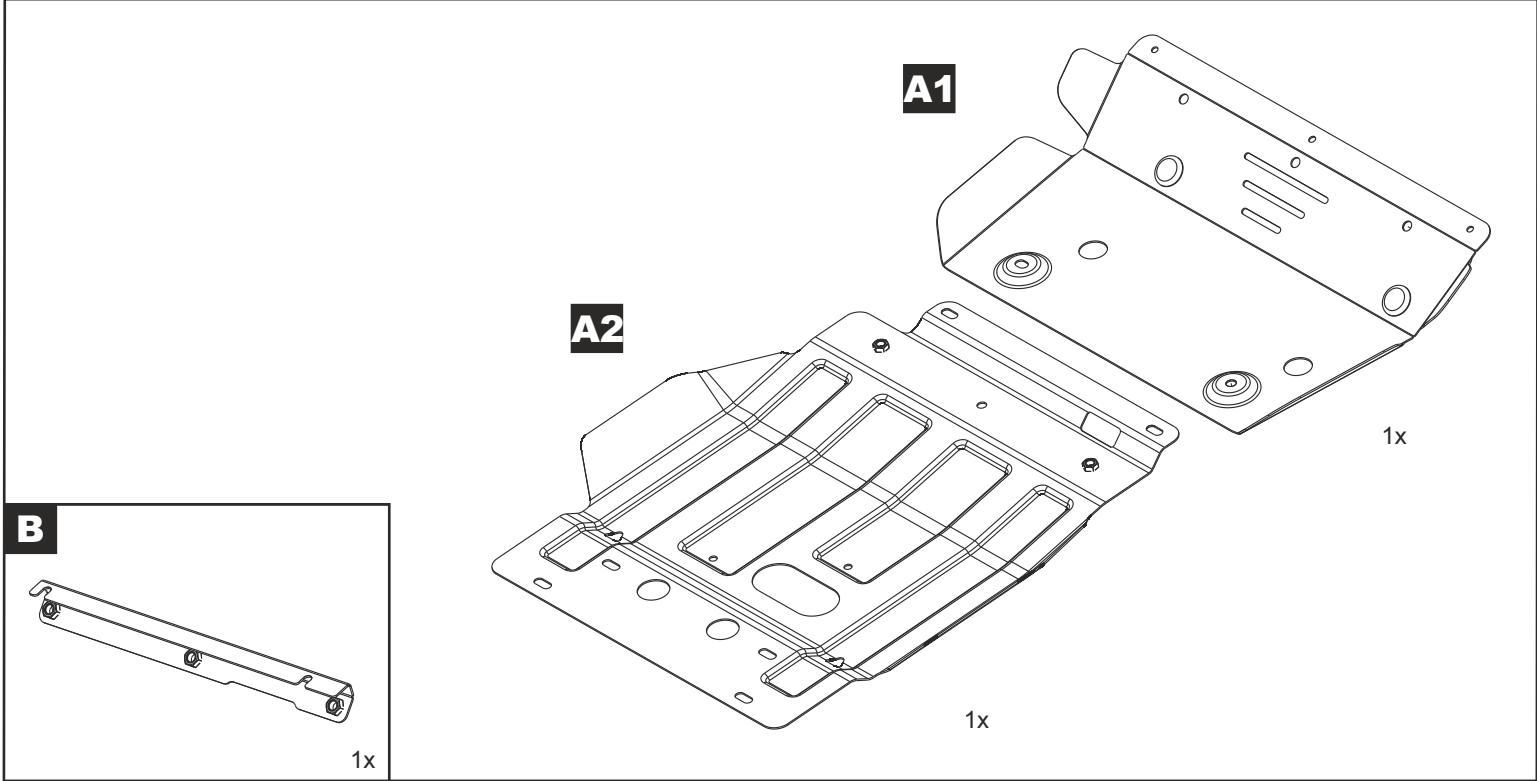


Installation Time:

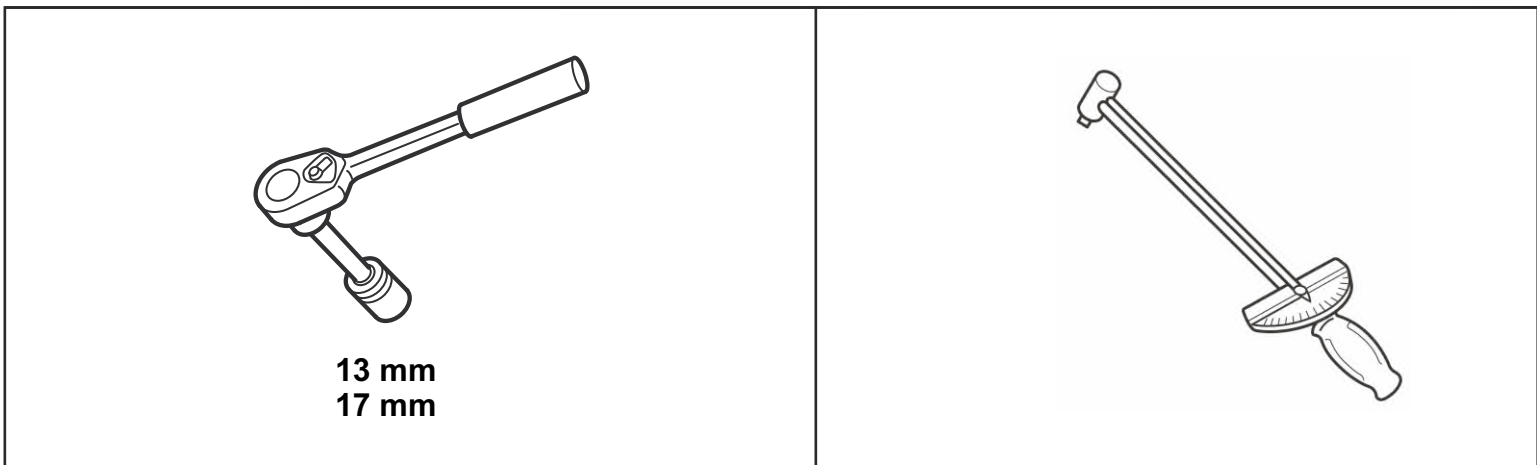
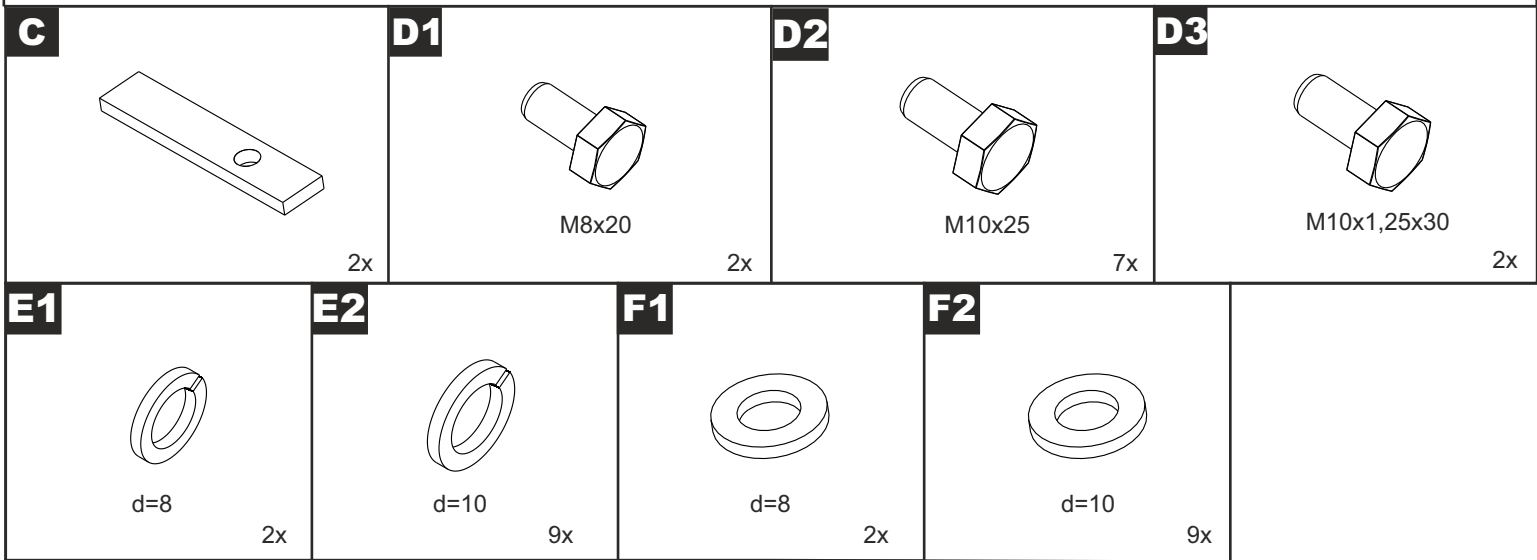
30 min

Rev.1 15.12.2017

PZ4AL-03590-00, PZ4AL-03591-00

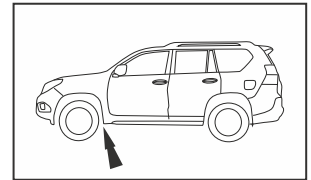
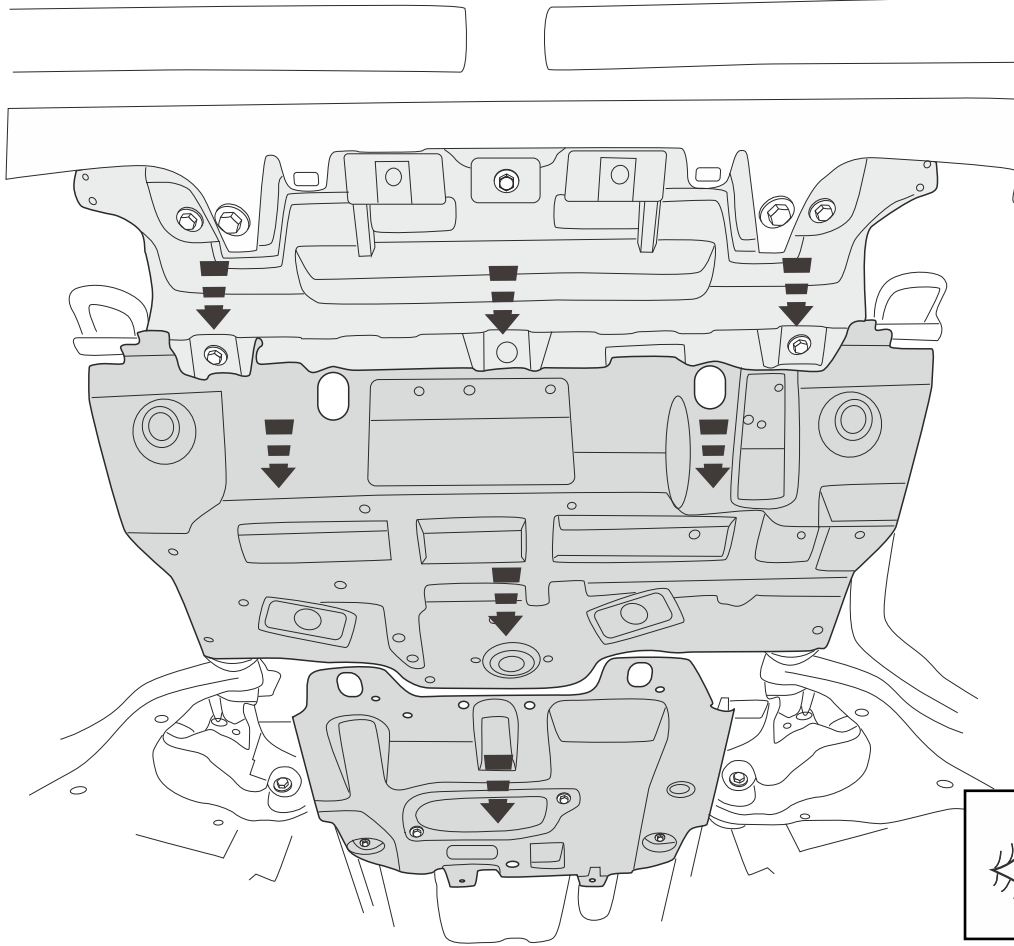


PZ4AL-03590-60



13 mm  
17 mm

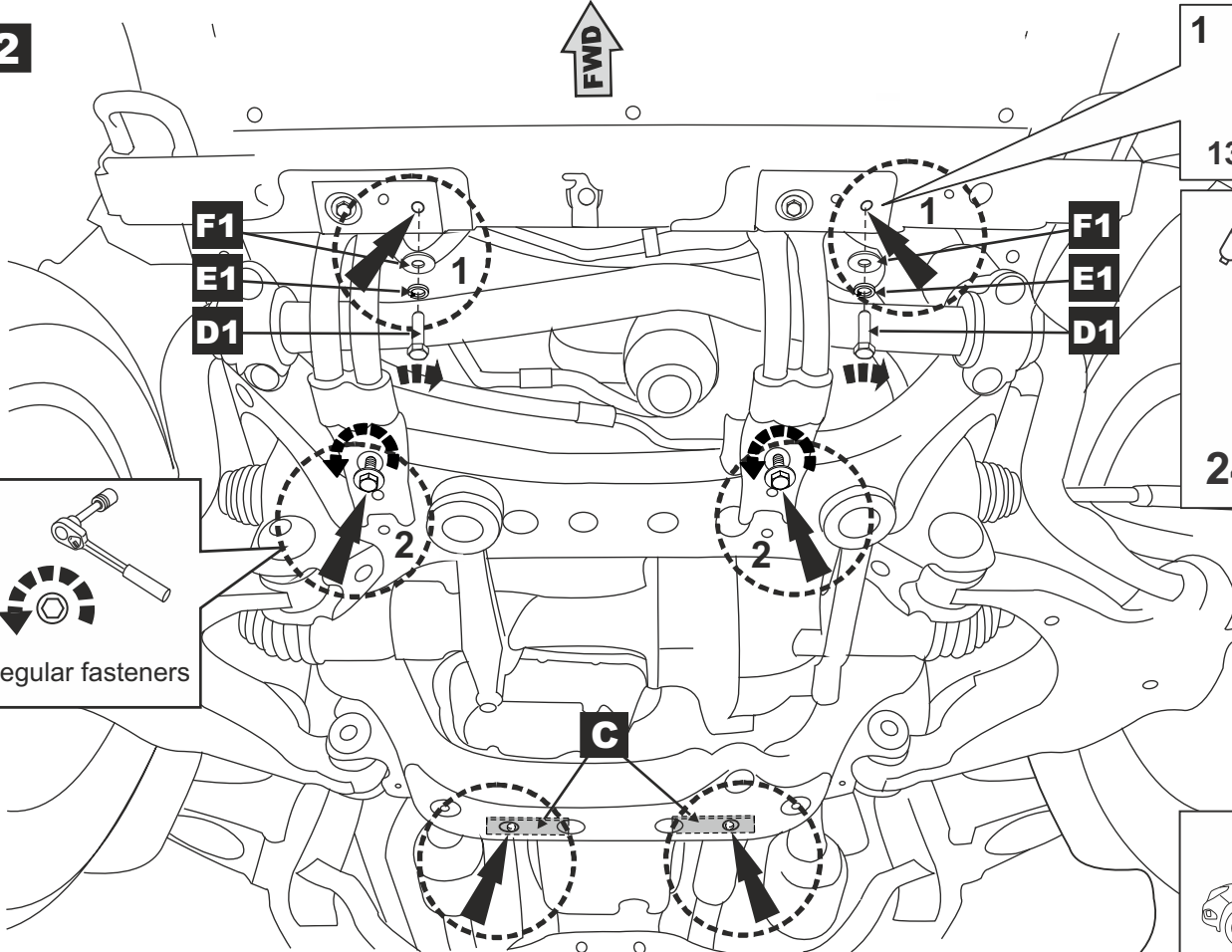
1



see repair manual

2

FWD



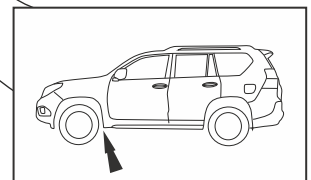
1

13 mm

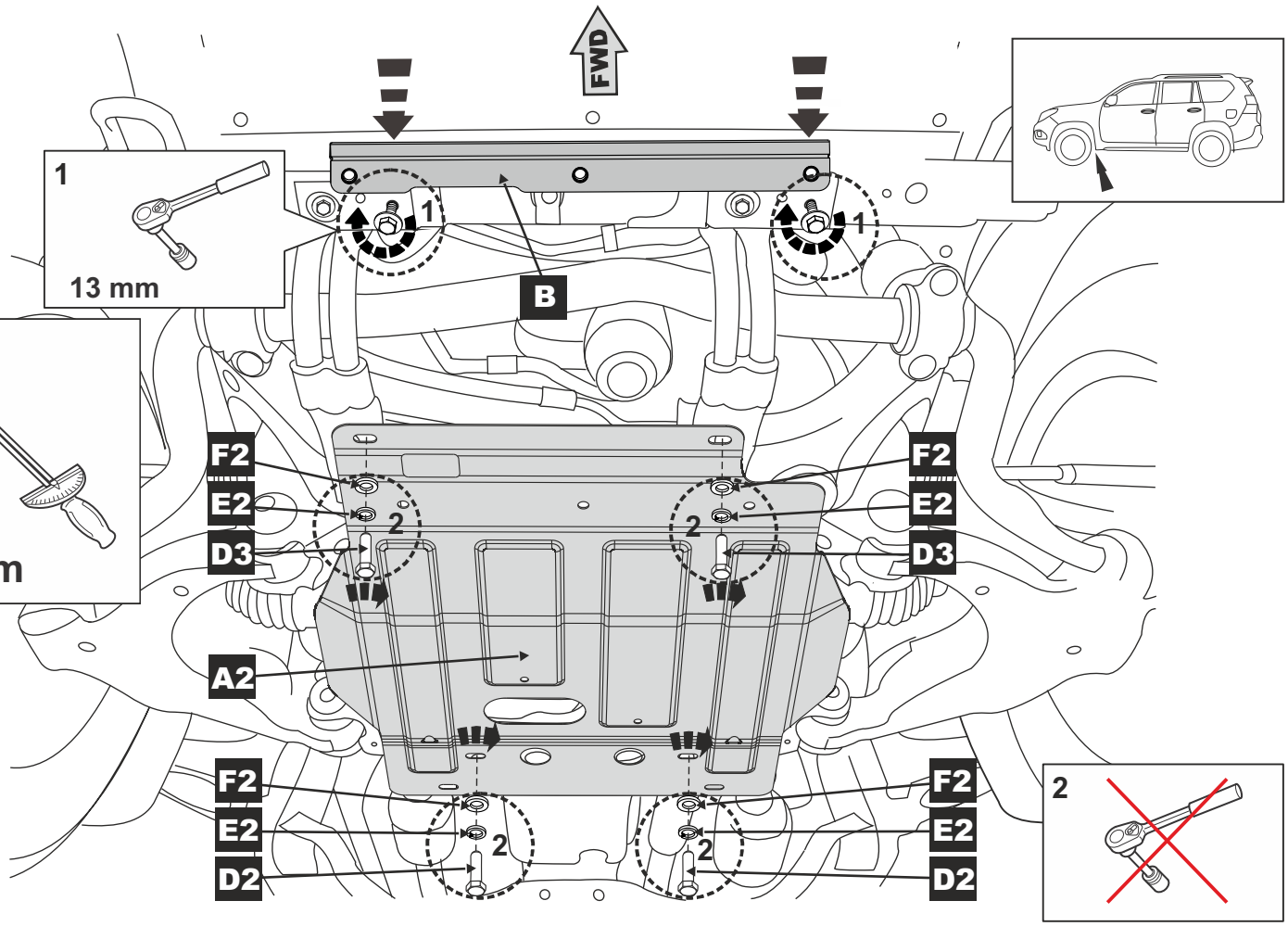
24 Nm

2

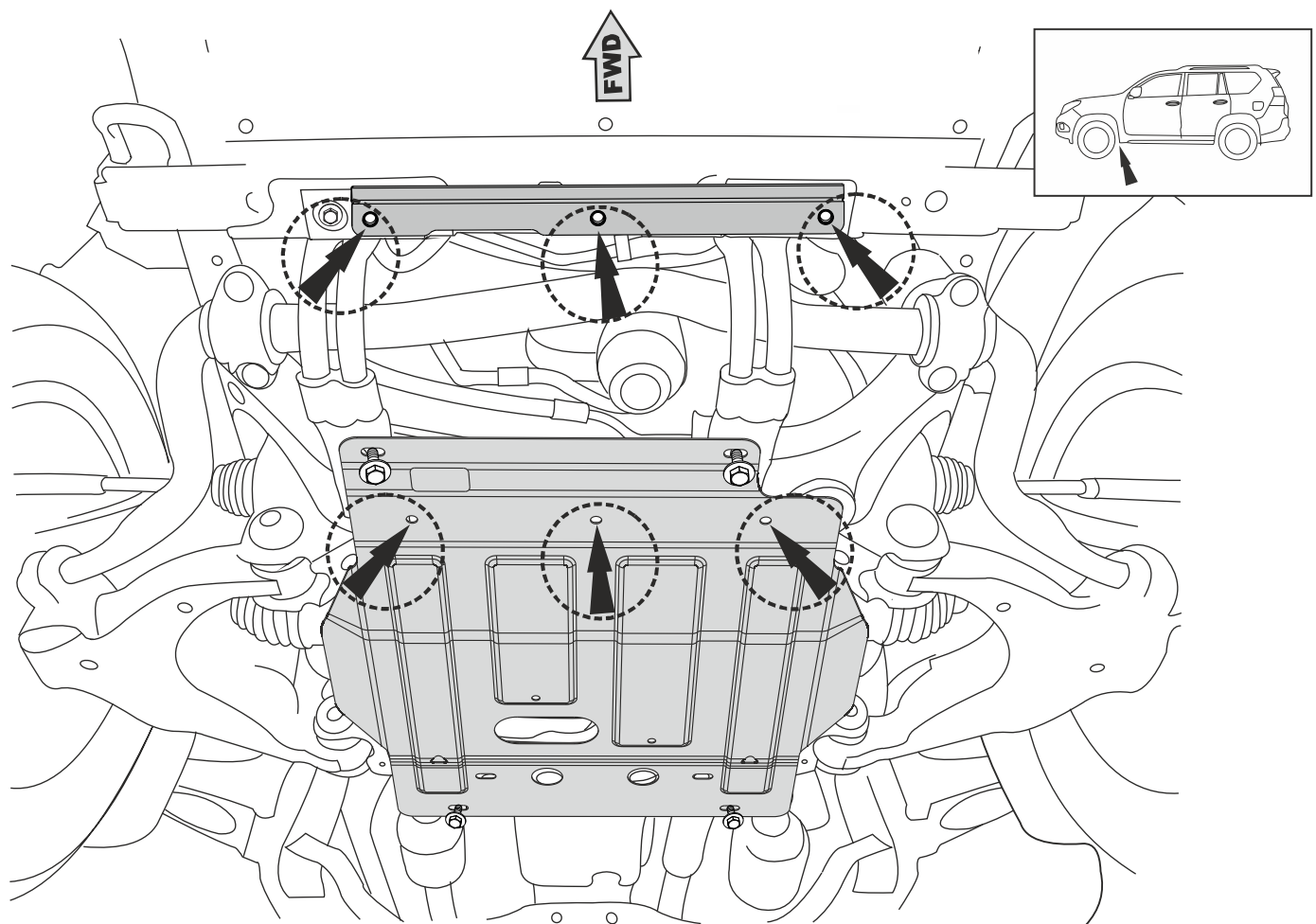
Regular fasteners



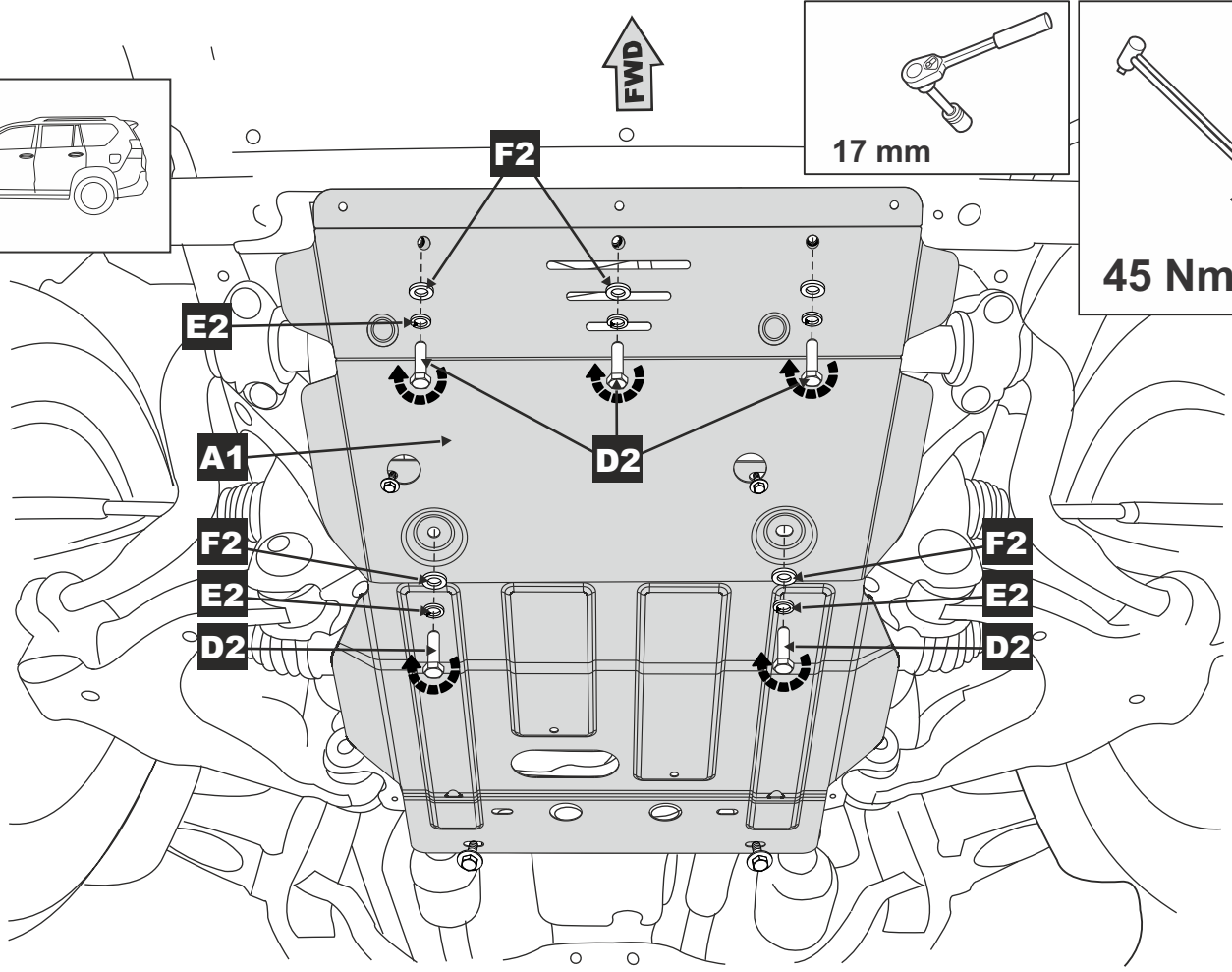
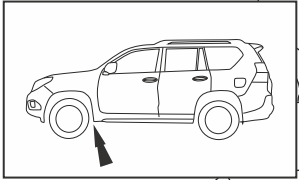
**3**



**4**



**5**



**6**

